

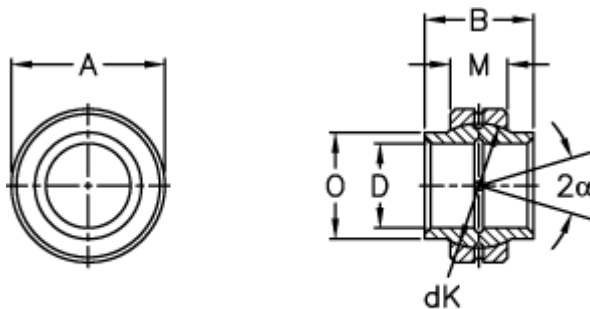
Data Sheet



Article number: 03504025

Description: Fluro Rod end GE 25LO

Measures



Str. 12 den smørerille

A	= 42 0 -0,011	Tilt angle = 4
B	= 25	Weight = 120
D	= 25 0 +0,021	
dK	= 35.5	
Dynamic load C (kN)	= 48	
M	= 16	
O	= 30	
Static load C0 (kN)	= 240	